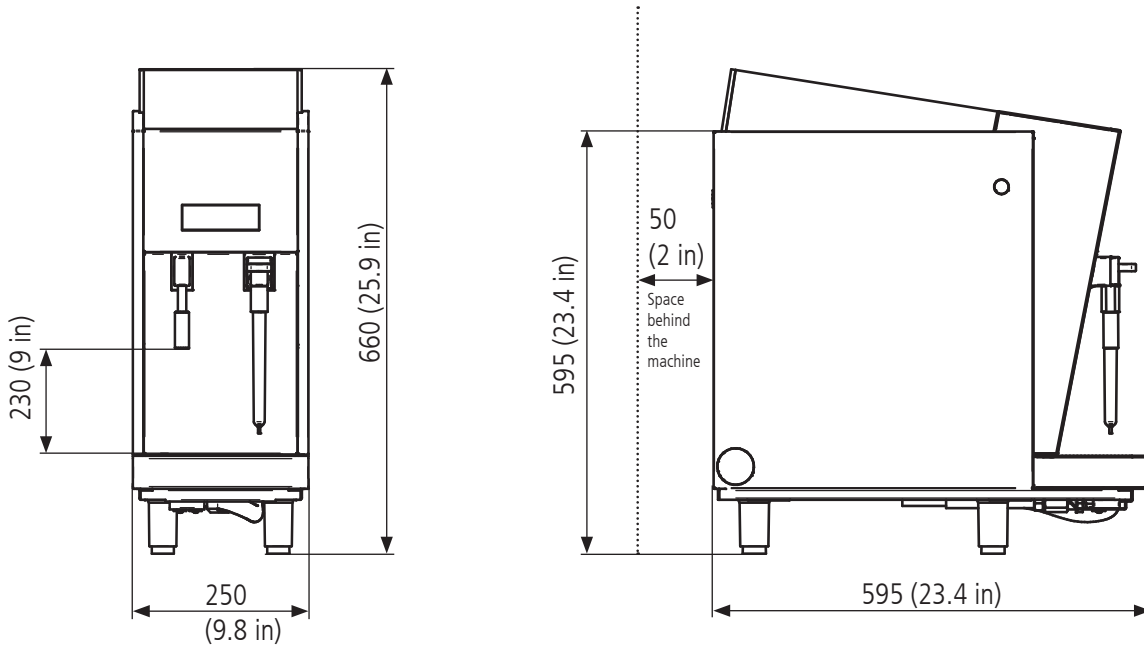


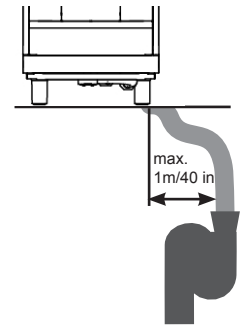
Cut sheet TS Standalone



Standalone Black&White 3 TS	
Connections	220-240 VAC 20 A 50/60 Hz 380-415 VAC 3 x 11 A 50/60 Hz
Output	4000-4800 W
Dimensions	250 x 595 x 652 mm (W / D / H) 9.8 x 23.4 x 25.9 in (W / D / H)
Weight	35 kg 77.1 lb

Drainage

The distance between the drain and the machine must not be more than 1m (40 in). Make sure there is no dip or any back pressure in the drain hose. The end of the hose must not be in the water.



Water connection	3/8"
Water pressure	2-4 bar / 30 -60 psi
Chlorine	Kein
TDS	70-200 ppm
Hardness	5-8 °dH (8-14 °fH)
pH	6.8-7.4
Alkalinity	less than 100 ppm
Iron	less than 0.25 ppm

Conversion table water hardness:

Water hardness	GE	FR	EN	Ppm	lMval/l
1° dH	1.0	1.79	1.25	17.8	0.357
1° fH	0.56	1.0	0.7	10.0	0.2
1° e	0.8	1.43	1.0	14.3	0.86
1° ppm	0.056	0.1	0.07	1.0	0.02
1 mval/l	2.8	5.0	3.5	50.0	1.0

For more information see Technical Manual.

Hole diameter 70mm (2.7 in) for water inlet and outlet. Also possible for electric cords.

