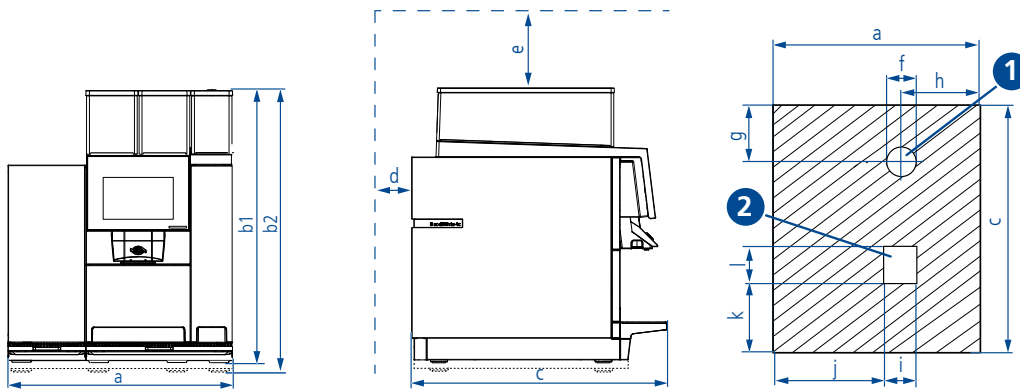


5 BW4c-CTM-P-RS (CE / USA/CA)

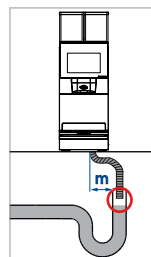


- 1 Cut-out for water/milk inlet and water drain.
Also possible for mains cable.
- 2 Cut-out for grounds ejection.

a	490 mm / 19.29 in	c	600 mm / 23.62 in	f	70 mm / 2.76 in	i	50 mm / 1.97 in
b1	CE: 646 mm / 25.43 in (feet: 57 mm / 2.24 in)	d	50 mm / 1.97 in	g	150 mm / 5.91 in	j	334 mm / 13.15 in
b2	USA/CA: 676 mm / 26.61 in (feet: 87 mm / 3.43 in)	e	350 mm / 13.78 in	h	206 mm / 8.11 in	k	248 mm / 9.76 in
						l	70 mm / 2.76 in

Drain

- **m**: Distance from machine to drain < 1000 mm / 39.37 in.
- Drain line (hose) not sagging.
- No back pressure in the water line.
- The end of the line not submerged in water.



Machine parameters		Water connection specifications	
Connection / power CE	220-240 VAC / 50/60 Hz 2750-3150 W / 13 A	Water supply	3/8"
Connection / power USA/CA	208 VAC / 60 Hz 2750 W / 13 A	Dynamic water pressure	2-4 bar 29-58 psi
Outlet height	85-175 mm (manual) / 100-190 mm (autom.) 3.35-6.89 in (manual) / 3.94-7.48 in (autom.)	Water boiler pressure	11.7 bar 169.6 psi
Weight	69 kg 152.12 lbs	Chlorine	None
		TDS	70-200 ppm
		Total hardness	5-8 °dH / 8-14 °fH
		pH	6.8-7.4
		Alkalinity	<100 ppm
		Iron	<0.25 ppm